

Part # CH-WLSN XX

19-0424

**PARTS**



A



B



C



D



x2  
(M6x12mm)  
E



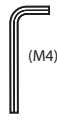
x2  
(42mm)  
F



x8  
(M6x12mm)  
G



x2  
(M6x22mm)  
H

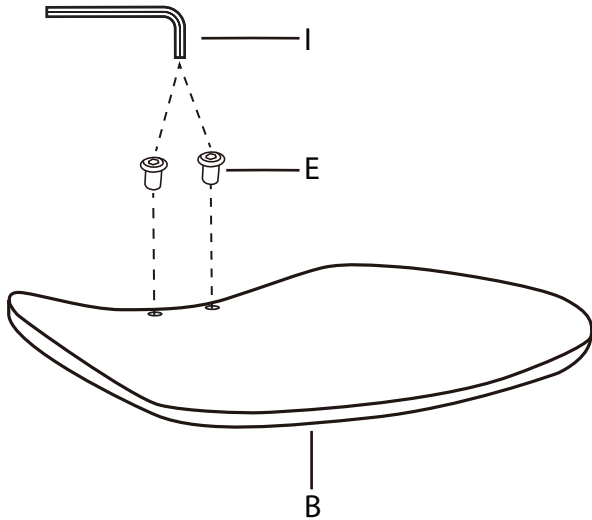


(M4)  
I

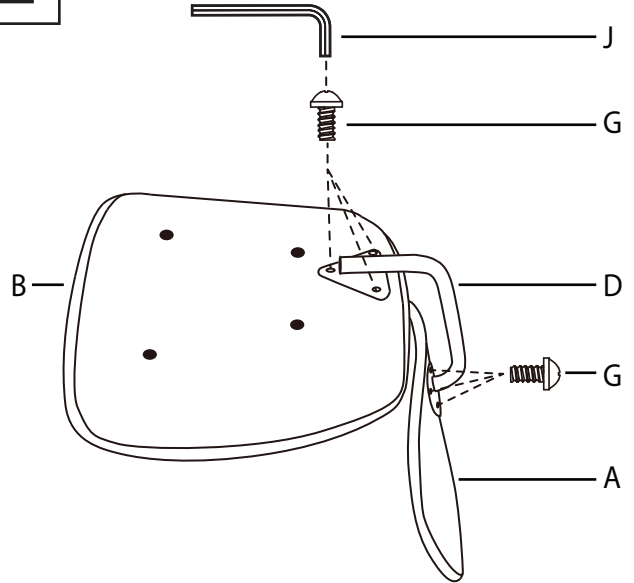


(M6)  
J

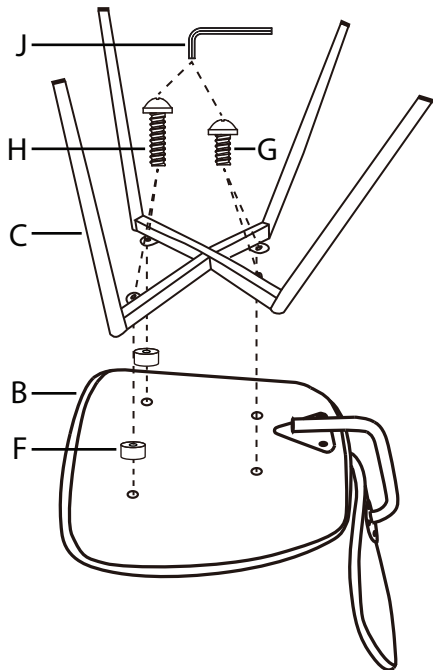
**1**



**2**



**3**



**4**



Do not over tighten.  
Do not use power tools to assemble.